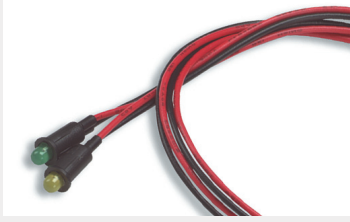


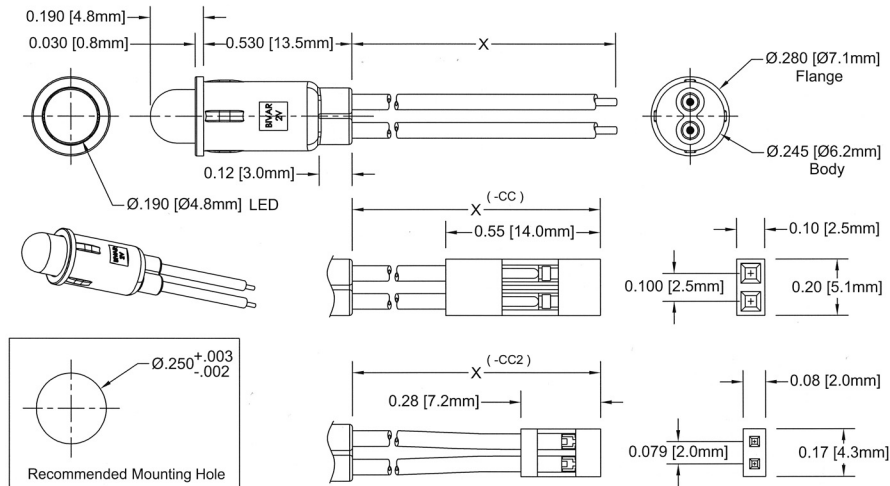
PANEL MOUNT LED ASSEMBLIES

Panel Mount Assemblies (5mm)



- Available in a Wide Range of Voltages
- Press Fit Mounting Lowers Labor and Assembly Cost
- 6" 24AWG Wire Leads at No Additional Cost
- Wide Variety of Connectors Available
- Uses 5XX Non-Flanged LEDs

PM5 Series



Mounting Information:

Press-fit mounting in 0.250" (7.11 mm) hole
 Panel Thickness: 0.047" (1.2mm) to 0.093" (2.4mm)

Material Specifications:

Housing: UL Rated 94V-0, Black, 6 Nylon per ASTM D4066 PA111
 Oxygen Index: +28%
 Optional Wire Leads: 24AWG U.L.
 1007 (PM5) 300V 105°C
 Cathode-Black, Anode-Red

Ordering Information:

PM5	G	D	5V	W6	-CC
Series	Color	Lens	Special	Wires	Options

Color: Please see Chart

Suffix	Color	Peak (nm)	Typ.Vf
G	Green	565	2.0
H	High Efficiency Red	635	2.0
Y	Yellow	585	2.0
SR	Super Red	660	2.0
O	Orange	635	2.0
A	Amber	610	2.0
BC	Red/Green Bi-Color	635/565	2.0
UBWC.6K	Blue	470	3.8
UWC.8K	White	X=.29 Y=.30	3.5

Application Notes:

Wire leads from 2.5" to 48" are available subject to special quotation. Please consult Bivar at 1-800-SPACERS for additional information.

Many connectors are available as well as customer specified connectors. Subject to quotation.

Lens Choices:

- D Color Diffused
- C Water Clear
- T Tinted Non-diffused

Special:

- L 2ma Low Current
- 5V 5 Volt integrated resistor
- 12V 12 Volt integrated resistor

Wires:

Wire Tolerances:
 2.5" through 12" = ± 0.250
 13" through 24" = ± 0.500
 Tighter tolerances available at extra charge

- "Blank" Terminal Leads
- Wx 24AWG Wire Leads Replace the "X" with the length in inches

Options:

- CC Standard 0.100" (2.54mm) pitch connector
- CC2 Miniature 0.079" (2mm) pitch connector